

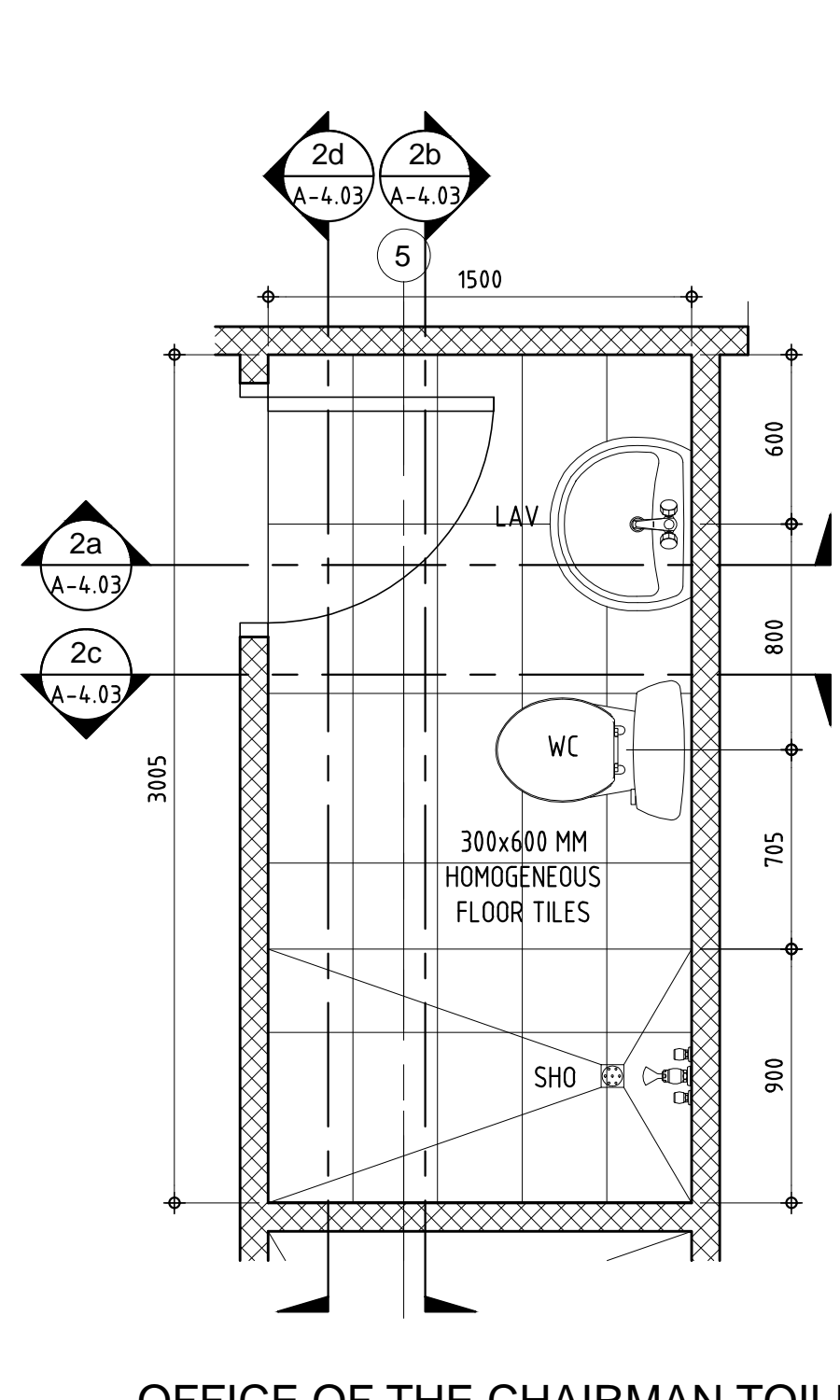
1
A-4.03 SCALE
PM-1 TOILET & PM-2 TOILET PLANS (REVERSE)
1: 25 M.

1a
A-4.03 SCALE
INTERIOR ELEVATION-1
1: 25 M.

1b
A-4.03 SCALE
INTERIOR ELEVATION-2
1: 25 M.

1c
A-4.03 SCALE
INTERIOR ELEVATION-3
1: 25 M.

1d
A-4.03 SCALE
INTERIOR ELEVATION-4
1: 25 M.



2
A-4.03 SCALE
OFFICE OF THE CHAIRMAN TOILET & OFFICE OF THE EXEC. DIRECTOR TOILET PLANS
1: 25 M.

2a
A-4.03 SCALE
INTERIOR ELEVATION-1
1: 25 M.

2b
A-4.03 SCALE
INTERIOR ELEVATION-2
1: 25 M.

2c
A-4.03 SCALE
INTERIOR ELEVATION-3
1: 25 M.

2d
A-4.03 SCALE
INTERIOR ELEVATION-4
1: 25 M.

NOTE:
ALL TOILETS SHALL BE RAISED FLOOR.

<p>REPUBLIC OF THE PHILIPPINES DANGEROUS DRUGS BOARD OFFICE OF THE PRESIDENT DILIMAN QUEZON CITY</p>	PROJECT & LOCATION	SHEET CONTENTS :	SUBMITTED BY:	DESIGNED BY:	APPROVED BY:	PROJ. NO.	SHEET NO.
	<p>PROPOSED DANGEROUS DRUGS BOARD EXTENSION OFFICE SOUTH INSULA CONDOMINIUM COMPLEX, TIMOG AVE., DILIMAN, SOUTH TRIANGLE, QUEZON CITY</p>	OFFICES TOILET DETAILS	<p>VICTOR S. ADRIANO CIVIL ENGINEERING CONSULTANCY SERVICES</p> <p>VICTOR S. ADRIANO PRC 18802 PRESIDENT/GEN. MANAGER</p>	<p>JUAN CARLO S. GERVASIO II ARCHITECT PRC - 17811 PTR - 7363158 01-16-19 MAKATI CITY</p>	<p>EARL P. SAAVEDRA MPA 9 - EXECUTIVE DIRECTOR DATE:</p>	GA 2019 08	A-4.03